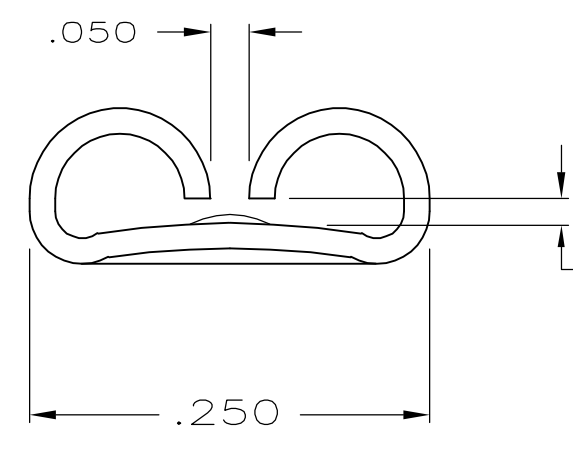
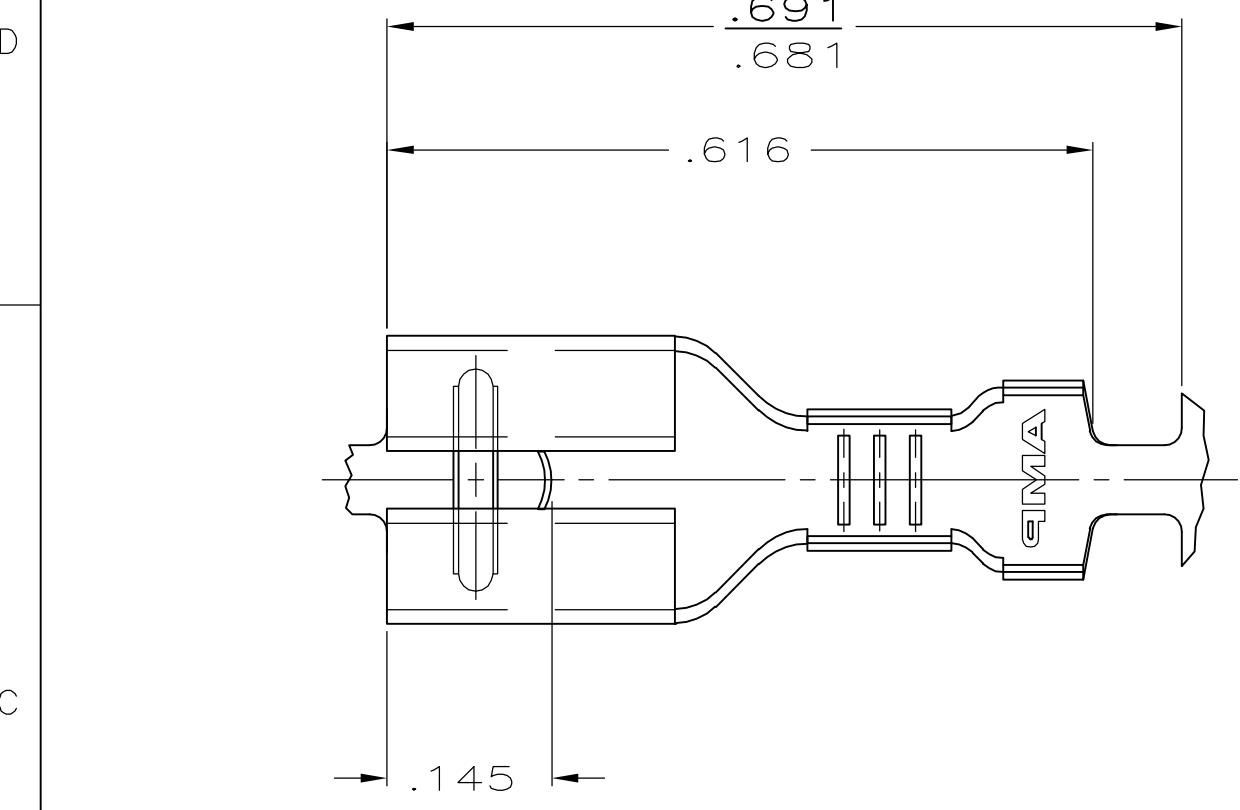


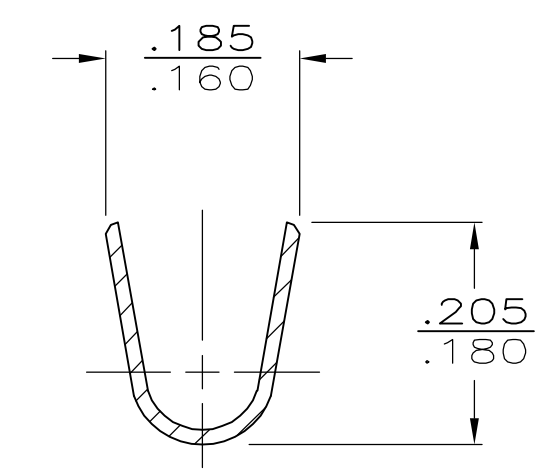
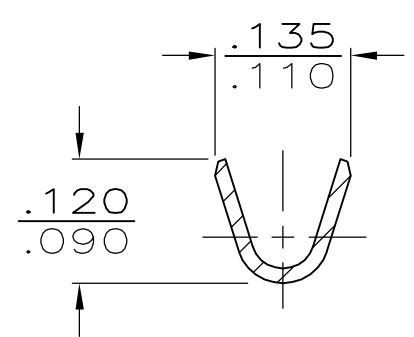
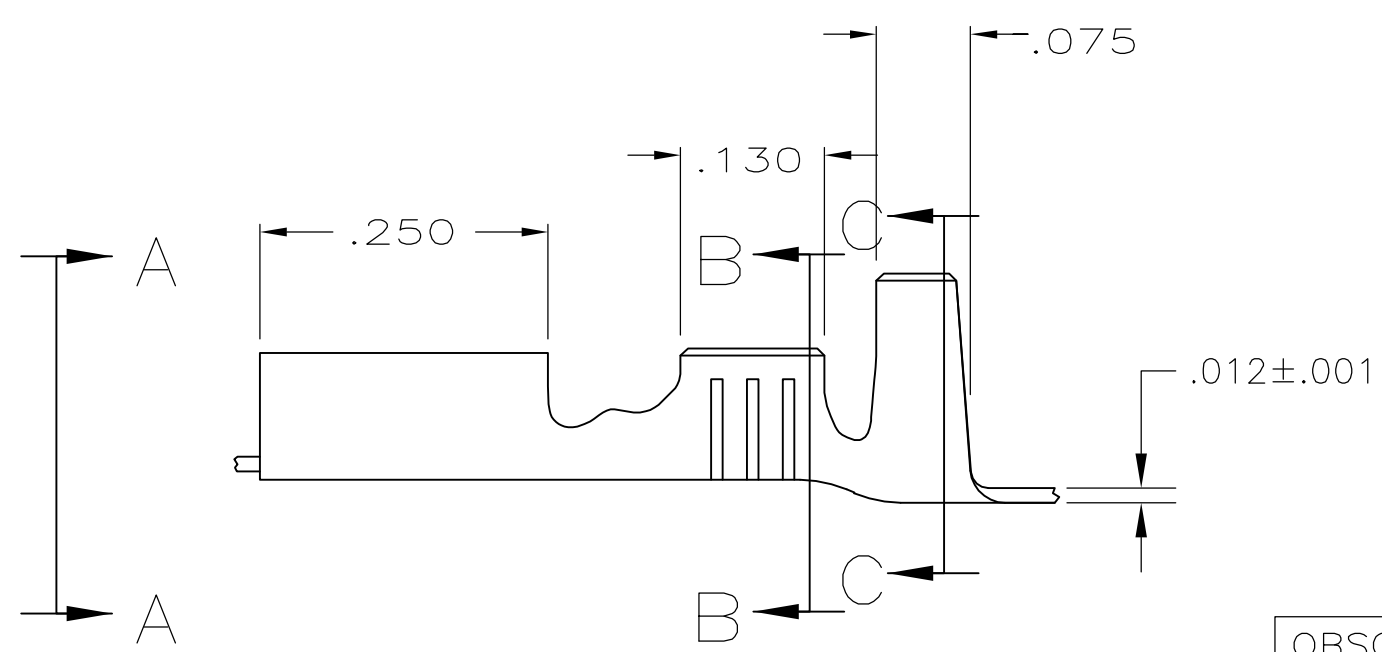
THIS DRAWING IS UNPUBLISHED. RELEASED FOR PUBLICATION
 © COPYRIGHT BY TYCO ELECTRONICS CORPORATION. ALL RIGHTS RESERVED.

LOC	DIST	REVISIONS					
AF	50	P	LTR	DESCRIPTION	DATE	DWN	APVD
			R1	REV PER ECR 06-010028	28APR06	JR	PD



1 CONTINUOUS STRIP ON REELS
 2 TIN PL .000080 MIN THK

FITS '205' SERIES FASTON TAB



OBSOLETE	\triangle 2	.032	22-18	.085 - .125	60904-2
	NONE				60904-1
	FINISH	MATING TAB THK ±.001	WIRE SIZE	INSULATION RANGE	PART NO.

THIS DRAWING IS A CONTROLLED DOCUMENT.		DWN DK SCHRUM 2-24-89	Tyco Electronics Corporation Harrisburg, PA 17105-3608				
DIMENSIONS: INCHES		CHK JR RUTH 2-24-89					
TOLERANCES UNLESS OTHERWISE SPECIFIED:		APVD P DESANTIS 2-24-89	NAME				
0 PLC ± - 1 PLC ± - 2 PLC ± - 3 PLC ± .015 4 PLC ± - ANGLES ± -		PRODUCT SPEC	RECEPTACLE, FASTON, .205 SERIES				
MATERIAL #4H BRASS		FINISH SEE TABLE	APPLICATION SPEC	SIZE A3	CAGE CODE 00779	DRAWING NO C-60904	RESTRICTED TO
CUSTOMER DRAWING			WEIGHT -	SCALE 6:1	SHEET 1 OF 1	REV R1	